

DS 230

Electronic OEM Pressure Switch

Applications:

- ▶ pneumatics
- ▶ pumps and hydraulic machines

Characteristics:

- ▶ nominal pressure ranges from 0 ... 2 bar up to 0 ... 400 bar
- ▶ display and housing rotatable
- ▶ up to 2 contacts
- ▶ configurable via display
- ▶ optional: analogue output



Technical Data



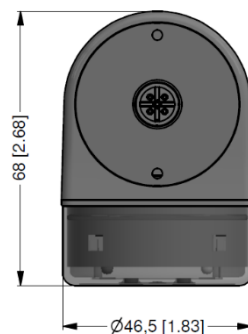
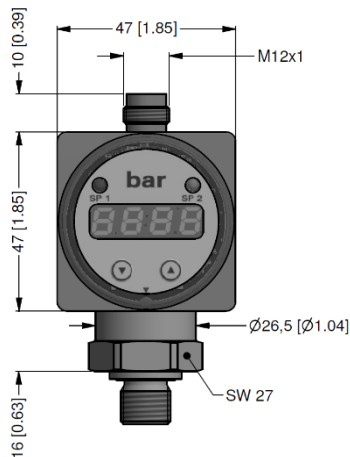
Input pressure range									
Nominal pressure gauge	[bar]	2	5	10	20	50	100	250	400
Overpressure	[bar]	4	10	20	40	100	200	400	600
Burst pressure	[bar]	7	15	35	70	150	250	450	650
Supply									
Supply voltage V_s		24 V _{DC} ±10 %							
Current consumption		< 40 mA (without analogue output and without contacts)							
Output signal									
Number, type		standard: 1 PNP contact				optional: max. 2 independent PNP contacts; 1 analogue output			
Contact (standard)									
Switching current		standard: contact rating max. 125 mA, short-circuit resistant							
Accuracy of contacts ¹		≤ ± 1.5 % FSO BFSL							
Repeatability ¹		≤ ± 0.5 % FSO BFSL							
Switching frequency		max. 100 Hz							
Switching cycles		> 100 x 10 ⁶							
Functions		hysteresis- / compare mode				n/o / n/c			
Delay time		0 ... 99.99 sec							
Analogue output (optionally)									
Signal output		4 ... 20 mA (3-wire)							
Linearity, hysteresis, repeatability		≤ ± 0.5 % FSO BFSL							
Calibration accuracy		≤ ± 1 % FSO BFSL (2 % FSO)							
Permissible load		$R_{max} = 500 \Omega$							
Response time		< 10 msec							
¹ depending on nominal pressure range									
Thermal effects (offset and span)									
Thermal error for offset		≤ ± 0.5 % FSO / 10 K				in compensated range 0 ... 85 °C			
Permissible temperatures									
Medium		-25 ... 125 °C							
Electronics / environment		-25 ... 85 °C							
Storage		-40 ... 85 °C							

Electrical protection	
Short-circuit protection	permanent
Reverse polarity protection	no damage, but also no function
Electromagnetic compatibility	emission and immunity according to EN 61326
Mechanical stability	
Vibration	10 g RMS (25 ... 2000 Hz) according to DIN EN 60068-2-6
Shock	500 g / 1 msec according to DIN EN 60068-2-27
Materials	
Pressure port / housing	stainless steel 1.4301 (304)
Display housing	PA 6.6, Polycarbonate
Seals (media wetted)	FKM others on request
Diaphragm	ceramic Al ₂ O ₃ 96 %
Touchpad	polyester
Media wetted parts	pressure port, seals, diaphragm
Miscellaneous	
Display	4-digit, red LED display, digit size 7 mm, digit width 4.85 mm (angle 10 °); range of indication -1999 ... +9999; accuracy 0.3 % ±1 digit; digital damping 0.3 ... 30 sec (programmable); measured value update 0.0 ... 10 sec (programmable)
Weight	approx. 180 g
Installation position	any
Ingress protection	IP 65
Operational life	100 million load cycles
CE-conformity	EMC Directive: 2014/30/EU Pressure Equipment Directive: 2014/68/EU (module A) ²

² This directive is only valid for devices with maximum permissible overpressure > 200 bar

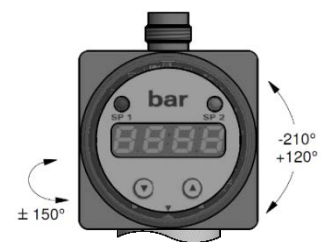
Wiring diagram / pin configuration			
	Electrical connections	M12x1, plastic (5-pin)	
	Supply +	1	
	Supply -	3	
	Signal + (only 3-wire)	2	
	Contact 1	4	
Contact 2	5		
Shield	via pressure port		

Dimensions (mm / in)

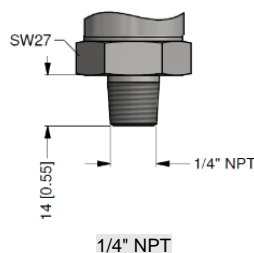
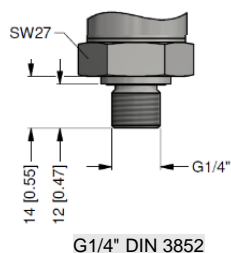


top view

Rotatability of display module



Mechanical connection (dimensions mm / in)



© 2023 BD|SENSORS GmbH – The specifications given in this document represent the state of engineering at the time of publishing. We reserve the right to make modifications to the specifications and materials.

